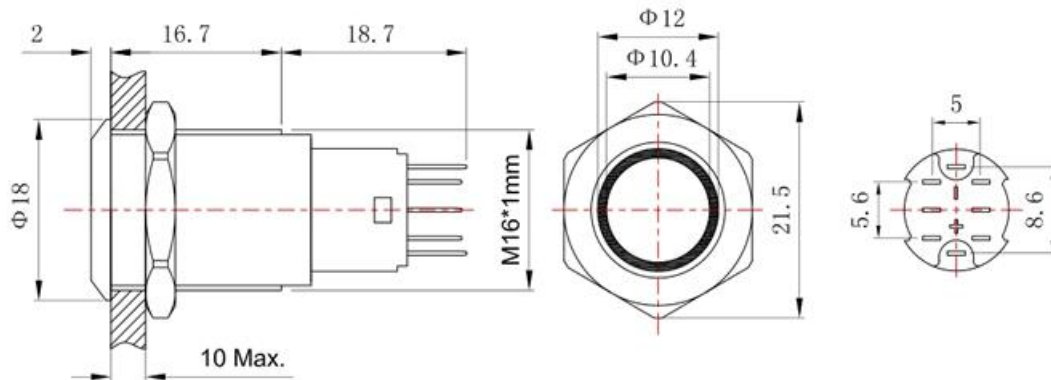




<b>Commodity</b>	16mm push button switch
<b>Series</b>	FT16-QB
<b>Mounting Hole Size</b>	16mm
<b>Model</b>	FT16Q-C12
<b>Switch Rating</b>	3A 250VAC
<b>Head Shape</b>	Flat head Ring light
<b>Structure</b>	1NO1NC / 2NO2NC
<b>Operation</b>	Momentary / Self-locking
<b>Terminal</b>	J pin terminal
<b>Protection Grade</b>	IP65 / IP67 IK10

**Lamp Parameters**

<b>Color</b>	R . Y . G . B . W other color . double color
<b>Rated Voltage</b>	2V 3V 5V 6V 12V 24V 36V 48V 110V 220V
<b>Rated Current</b>	15mA
<b>Life</b>	50.000 hours



**Parameters**

<b>Contact Resistance</b>	≤50mΩ
<b>Insulation Resistance</b>	≥1000MΩ
<b>Dielectric Strength</b>	2000VAC/min
<b>Environment Temperature</b>	-20°C~+55°C
<b>Panel Thickness</b>	1~10mm
<b>Nut Torque</b>	5~14Nm
<b>Operating Pressure</b>	3~5N
<b>Operating Stroke</b>	3.0mm
<b>Mechanical Life</b>	1.000.000 times
<b>Electrical Life</b>	50.000 times

**Material**

<b>Button</b>	Stainless steel / Zn-Al alloy
<b>Body</b>	Stainless steel / Zn-Al alloy / Brass nickel plated
<b>Contact</b>	Silver
<b>Terminal</b>	Brass plating silver
<b>Base</b>	PBT